



NLF 20
NLF 30

No-Load Fishing Reel

Instructions For Use

Qualia Corporation

Contact Us

Parts List, Reel Schematic

396B 7th St., #164

Phone: 415-382-1099

Novato, CA 94945, USA

Email: qualia@ix.netcom.com

Prepare yourself for a pleasant surprise

This over-spec'd. saltwater spinning reel is full of features you'd usually pay much more to own:

- Powerful, cast gearing with a machined brass pinion for added smoothness.
- A smooth, wide-range multi-disc drag with super-slick friction washers for greatest range.
- An anti-reverse system with an infinite number of stops for the fastest possible hook set.
- An over-long coil bail spring for the most positive action and the longest bail life imaginable.
- A forged aluminum spool to handle the highest pressure line loads.
- An oversized, soft-touch grip to make your hardest fish fight a "gripping" event.
- A forged aluminum handle for the strength necessary to drive this powerful reel.
- A computer-balanced rotor to insure the only vibrations you feel come from somewhere near the hook.
- A unique, patented oscillation system to provide the smoothest line wind possible for both monofilament and braided line.
- An extraordinarily strong mainshaft support over 2.5 times longer than most other reels to prevent binding under extreme loads.

So what do these specifications do for you? Truth be told, they do nothing for you until you go fishing.

But when you do go fishing with this NLF reel, you'll find that these features give you a chance to fight harder, fight longer and fight with less fatigue. While all reels have a limit of durability, we purposely over-designed the NLF so that you can test your skills to the limit.

Fish hard. Fish safe. And have fun!

CARE AND MAINTENANCE

While we have done everything possible to make your NLF Saltwater Reel the highest value available, it remains a finely tuned piece of equipment that requires a minimal amount of care and maintenance. We congratulate you on your excellent choice of fishing equipment and recommend that you review the following maintenance suggestions; for the longest lasting pleasure with your tackle, we suggest adding these simple procedures to your regular fishing regimen.

BEFORE EACH FISHING TRIP

Carefully consider your choice of equipment. We all know that we cannot reasonably expect a small sports car to carry the local football team to its games; every car is designed for a certain purpose. In the same way, all fishing equipment is designed for a limited set of circumstances. For the greatest fishing performance, your choice of equipment should consider the type of fishing for which it will be used.

- Check that the line on your reel is fresh. Most lines tend to stretch and degrade over time and lose both their pull test and knot strength.
- Check that the reel has been cleaned, greased and stored properly with the drag slightly loosened.
- Check that the rod guides are all in good condition (no broken or loose rings).
- Check that the rod seat holds the reel securely in place

AFTER EACH FISHING TRIP

Clean both your rod and reel, lubricate your reel carefully, and back the drag off slightly before storing your reel. This is probably the most important recommendation for maintaining the longest working life of your reel and rod.

It is not necessary to submerge your reel in fresh water or hit it with a high-pressure blast of water. Few reels are dragged through mud or keel hauled behind a boat; therefore gently spraying your reel and rod with clean water after each fishing excursion and wiping them off thoroughly with a soft towel will take care of most cleaning requirements.

After cleaning, a light coating of a thin, high grade oil on all moving parts is recommended. While we strongly recommend using a competent service technician for maintaining the insides of your reel, we know that many folks who fish enjoy disassembling their reels both for fun and for maintenance purposes. To assist those who do disassemble their reel, the attached exploded drawing should help explain the parts and assembly of your NLF Reel, and to help if ordering parts is required.

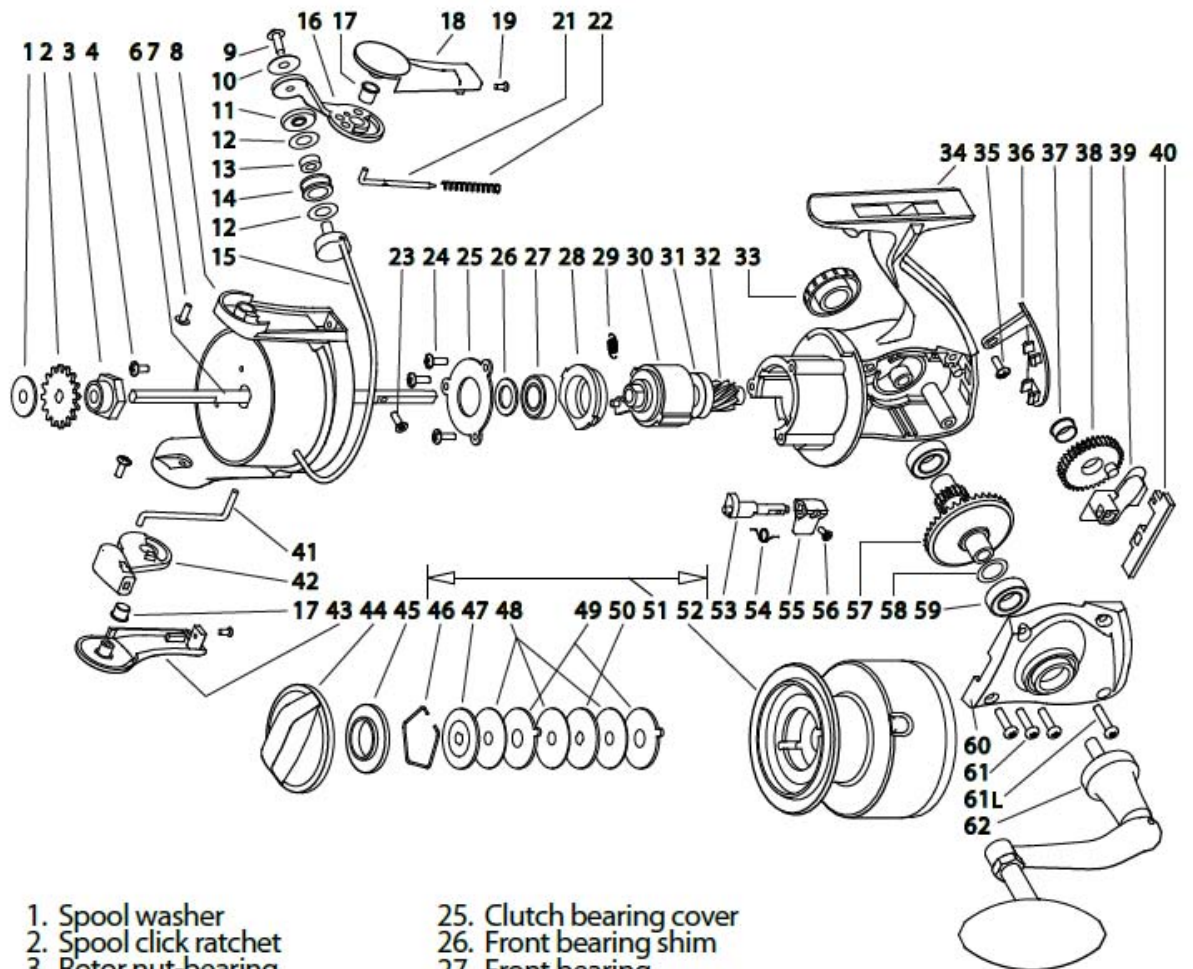
ONCE EACH SEASON

If you properly maintain your reel and rod as recommended above, it is unlikely that you will ever need to send your reel in for service. Nonetheless, we recommend an occasional trip to a service center for a professional cleaning and service of your reel.

Service centers generally use better grades of grease and oil than most folks keep on hand, and it is very helpful to have a trained eye inspect your reel occasionally to make sure no unforeseen problems are developing.

If you follow the above recommendations, you should look forward to many enjoyable fishing experiences. Thank you again for your purchase of this outstanding NLF Reel.

PARTS SCHEMATIC



- | | | |
|------------------------------------|------------------------------|---------------------------|
| 1. Spool washer | 25. Clutch bearing cover | |
| 2. Spool click ratchet | 26. Front bearing shim | |
| 3. Rotor nut-bearing | 27. Front bearing | |
| 4. Rotor nut retainer screw | 28. Bearing seat | |
| 6. Main shaft | 29. Clutch bearing spring | |
| 7. Rotor cover top screw | 30. Clutch bearing | |
| 8. Rotor body | 31. Rotor bearing | |
| 9. Line roller screw | 32. Pinion gear | |
| 10. Roller screw shield | 33. Handle boss cover | |
| 11. Roller shield | 34. Main body | |
| 12. Roller shim (2) | 35. Body plate screw | |
| 13. Roller bearing | 36. Body plate | |
| 14. Line roller | 37. Oscillation gear bushing | |
| 15. Bail wire assembly | 38. Oscillation gear | |
| 16. Bail hinge | 39. Oscillation block | |
| 17. Rotor cover bushing (2) | 40. Rear shaft support | |
| 18. Rotor cover (A) | 41. Bail trip wire | |
| 19. Rotor cover bottom screw (2) | 42. Bail pivot | |
| 21. Bail spring pin | 43. Rotor cover (B) | |
| 22. Bail spring | 44. Drag knob assembly | |
| 23. Mainshaft screw | 45. Protective shield | |
| 24. Clutch bearing cover screw (3) | 46. Drag retainer spring | |
| | | 47. Top keyed washer |
| | | 48. Friction washer (3) |
| | | 49. Eared washer (2) |
| | | 50. Keyed washer |
| | | 51. Spool assembly |
| | | 52. Spool shell |
| | | 53. A/R switch cam |
| | | 54. Switch cam spring |
| | | 55. A/R switch |
| | | 56. AR switch screw |
| | | 57. Main gear |
| | | 58. Main gear shim |
| | | 59. Main gear bearing (2) |
| | | 60. Sideplate |
| | | 61. Sideplate screw (3) |
| | | 61L. Long sideplate screw |
| | | 62. Handle assembly |